

2750 (STANDARD PALISADE FENCE PANEL SIZE)

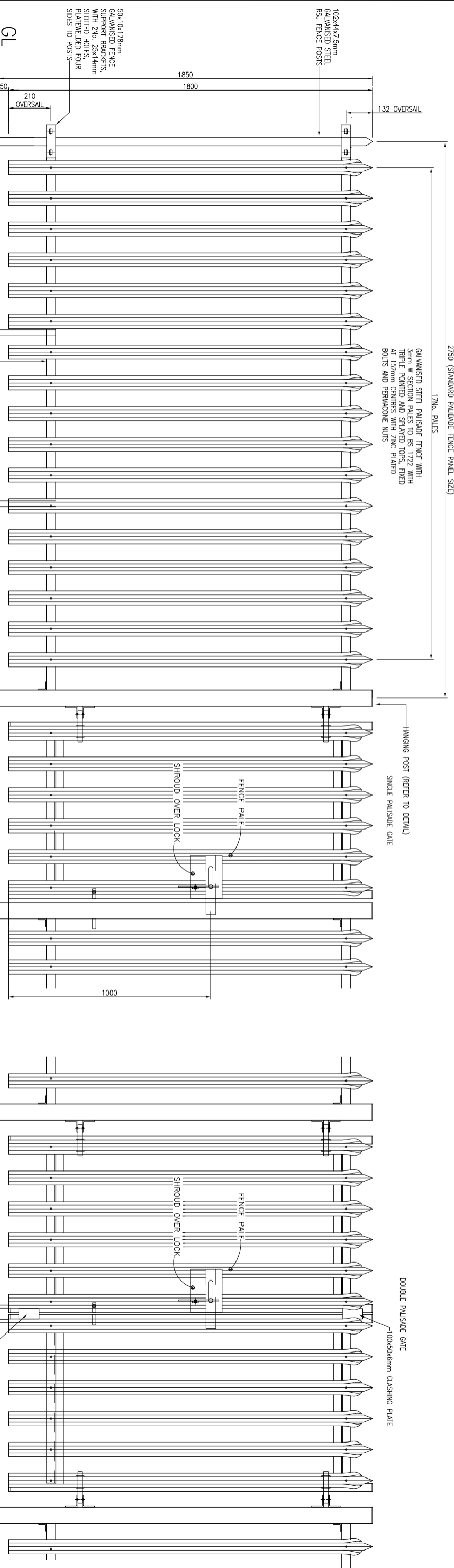
1750 - PALES

GALVANISED STEEL PALISADE FENCE WITH 3mm W SECTION PALES TO BS 1722 WITH TRIPLE POINTED AND SPLAYED TOPS, FIXED AT 152mm CENTRES WITH ZINC PLATED BOLTS AND PERMACONE NUTS

HANGING POST (REFER TO DETAIL) SINGLE PALISADE GATE

DOUBLE PALISADE GATE

100x50x6mm CLASHING PLATE



NOTE:
FOUNDATION SIZES ARE BASED ON THE ASSUMPTION OF NORMAL GROUND CONDITIONS AND WIND LOADINGS IN ABNORMAL CONDITIONS, CONDITIONS OF EXTREME EXPOSURE OR SEVERE CONDITIONS OF SERVICE SPECIAL MEASURES MIGHT BE REQUIRED.

ELEVATION ON FENCE / GATE

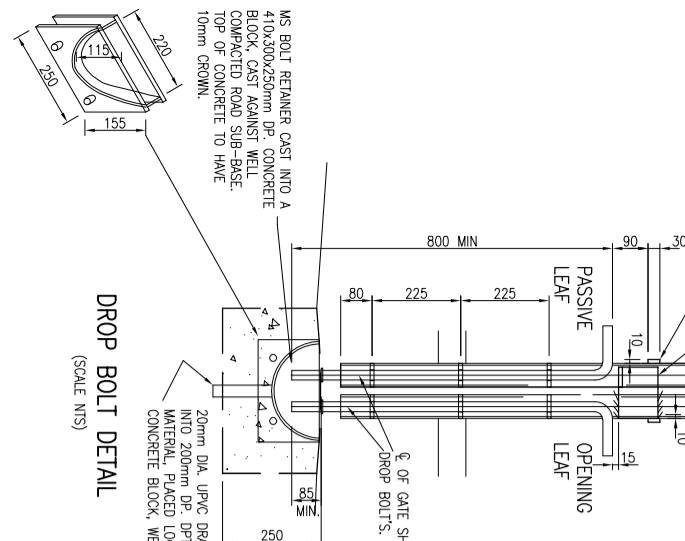
(SCALE 1:10)

102x44x7.5mm GALVANISED STEEL RSI FENCE POSTS

RSAs BOLTED TO POSTS WITH GALVANISED BOLTS WITH SHARP NUTS

S/LAM PLATE - 100x65x8 RSA 130mm LONG, WELDED TO OPENING LEAF SHS, USING 6mm FFW, SEE DETAIL 2.

BOLT REST - 30x10 MS FLAT 85mm LONG, WELDED TO FACE OF STILE USING 6mm FFW. OPPOSITE LEAF SIMILAR.



DROP BOLT DETAIL

(SCALE NTS)

SECTION THROUGH RING BEAM

(SCALE 1:20)

100x100mm BOX SECTION METAL GATE POST CAPPED OFF AT THE TOP

50x50x6 RSA HORIZONTAL RAIL

GALVANISED STEEL PALISADE FENCE PALES TO BS 1722 WITH TRIPLE POINTED AND SPLAYED TOPS, FIXED AT 152mm CENTRES WITH ZINC PLATED BOLTS AND PERMACONE NUTS

ADJUSTABLE GATE EYE

HANGING POST DETAIL 2

SHROUDED SHOOT BOLT

970 CLEAR OPENING

ADJUSTABLE GATE EYE PALISADE GATE

GATE POST THIS SIDE TO INCLUDE SLOTTED RECESS FOR GATE LATCH

200mm x 50mm CONCRETE KERB

CONCRETE KERB DETAIL

(SCALE 1:25)

3000 CLEAR OPENING

ADJUSTABLE GATE EYE PALISADE GATE

ADJUSTABLE GATE EYE PALISADE GATE

HANGING POST DETAIL 2

SHROUDED SHOOT BOLT

970 CLEAR OPENING

ADJUSTABLE GATE EYE PALISADE GATE

GATE POST THIS SIDE TO INCLUDE SLOTTED RECESS FOR GATE LATCH

200mm x 50mm CONCRETE KERB

CONCRETE KERB DETAIL

(SCALE 1:25)

100x50x6mm CLASHING PLATE

ADJUSTABLE GATE EYE PALISADE GATE

ADJUSTABLE GATE EYE PALISADE GATE

HANGING POST DETAIL 2

SHROUDED SHOOT BOLT

970 CLEAR OPENING

ADJUSTABLE GATE EYE PALISADE GATE

GATE POST THIS SIDE TO INCLUDE SLOTTED RECESS FOR GATE LATCH

200mm x 50mm CONCRETE KERB

CONCRETE KERB DETAIL

(SCALE 1:25)

PLAN ON DOUBLE GATES

(SCALE 1:10)

GENERAL NOTES

1. DO NOT SCALE THIS DRAWING. TAKE FIGURED DIMENSIONS ONLY
2. ALL COMPONENTS MILD STEEL GRADE 43
3. ALL COMPONENTS HOT DIPPED GALVANISED AFTER FABRICATION TO BS 729
4. ALL BOLTS TO BE GRADE 8.8 GALVANISED AND HAVE PERMANENT NUTS OR LOCKNUTS
5. ALL WELDS 6MM FILLET FULL & CONTINUOUS, DRESSED SMOOTH AND FREE FROM SHARP EDGES
6. ALL OPEN ENDS TO HAVE BLACK PLASTIC STOPS

ALL GATES TO OPEN OUT FROM SUBSTATION - ALL LEAVES ACTIVE

		FREDERICK ROAD, SALFORD M6 6QH TEL 0161 6041370		CIVIL DISTRIBUTION SUBSTATION	
DRAWN	ASR	SCALE	AS SHOWN @A1	SITE NAME	PALISADE FENCE 1850mm HIGH
APPROVED		DATE	JULY 16	P.F.R. NO.	
OLD DWG NO.		SHEET SIZE	A1	DWG NO.	900350-022
				REV	3
				APPROVAL	