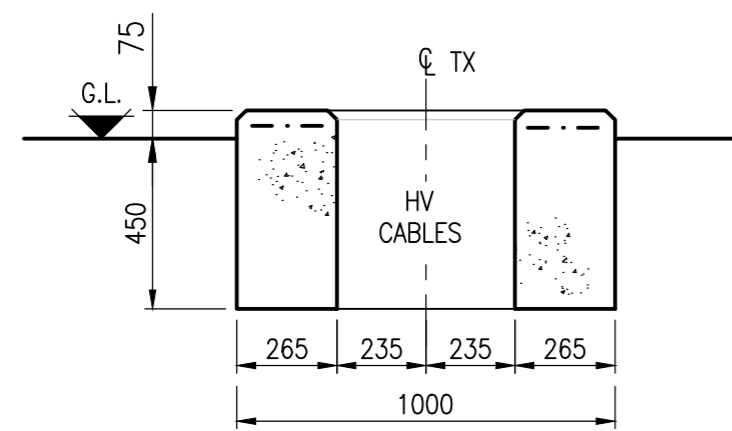


**SITE NOTES**

1. CONTRACTOR TO OBTAIN UNDERGROUND CABLE & SERVICE RECORDS PRIOR TO COMMENCEMENT OF ANY WORKS.
2. THE CONTRACTOR MUST ASSUME THAT ANY EXISTING CABLES LOCATED WITHIN THE WORKS ARE LIVE AND LIAISE WITH THE ELECTRICITY NORTH WEST ENGINEER FOR ADVICE.
3. SITE SPECIFIC RISK ASSESSMENT TO BE UNDERTAKEN PRIOR TO COMMENCEMENT OF ANY WORKS.
4. FOUNDATION DESIGN HAS BEEN BASED ON A SUITABLE BEARING PRESSURE FOR MOST GROUND CONDITIONS INCLUDING CLAYS. FORMATION LEVEL FOR FOUNDATIONS TO BE TAKEN DOWN TO GROUND THAT IS SUFFICIENTLY FIRM TO PROVIDE PHYSICAL SUPPORT TO THE STRUCTURE.
5. FOUNDATION FORMATION LEVELS TO BE INSPECTED AND APPROVED PRIOR TO FOUNDATION CONSTRUCTION.

**GENERAL NOTES**

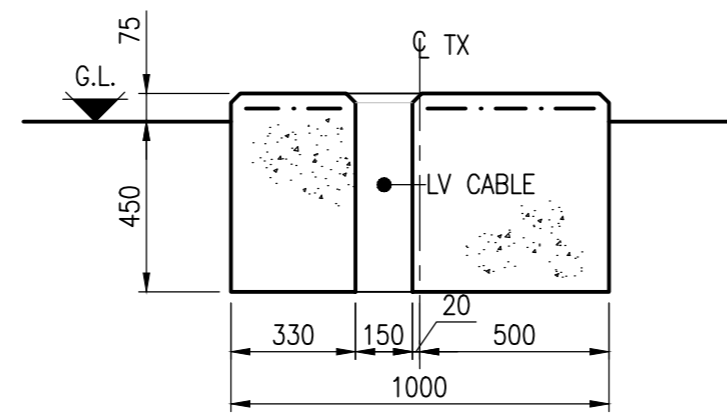
1. DO NOT SCALE.
2. ALL DIMENSIONS ARE IN MILLIMETRES UNLESS NOTED OTHERWISE.
3. THIS DRAWING IS TO BE READ IN CONJUNCTION WITH ELECTRICITY NORTH WEST CODE OF PRACTICE ES352
4. ALL WORK TO CARRIED OUT IN ACCORDANCE WITH CURRENT BUILDING REGULATIONS AND RELEVANT BRITISH STANDARDS AND CODES OF PRACTICE.
5. CONCRETE TO BE STRENGTH CLASS C32/40 TO BS8500.



**SECTION A-A**

(SCALE 1:20)

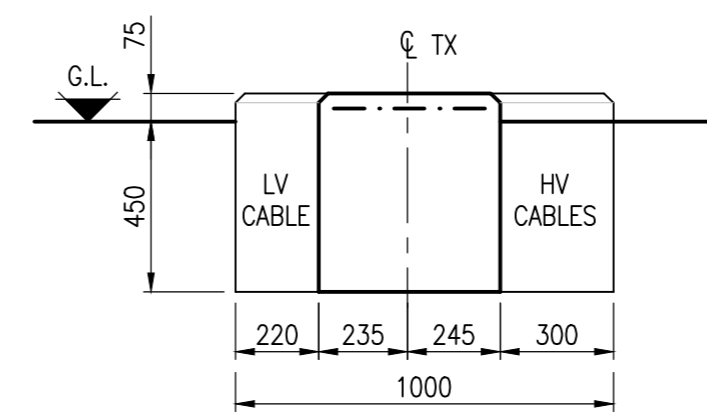
C



**SECTION B-B**

(SCALE 1:20)

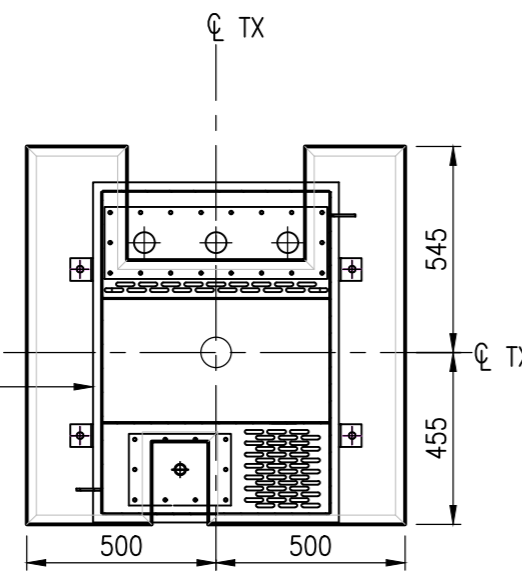
C



**SECTION C-C**

(SCALE 1:20)

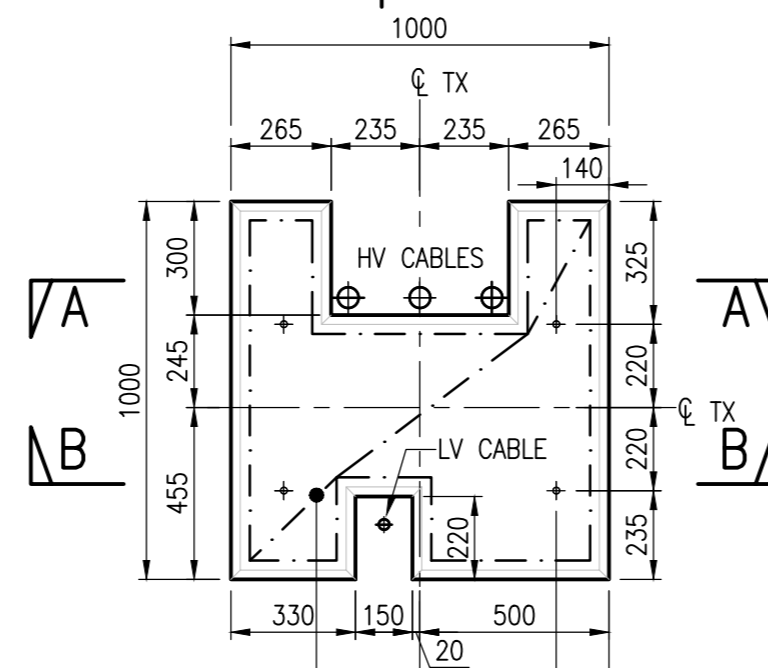
IST POWER LTD  
50kVA 6.6kV 250V  
SINGLE PHASE AUX TX



**PLAN**

TX ON PLINTH

(SCALE 1:20)



1 LAYER A393 MESH TOP  
SURFACE MIN COVER 40mm

**PLAN ON PLINTH**

(SCALE 1:20)

HOLES FOR M16  
HOLDING-DOWN BOLTS

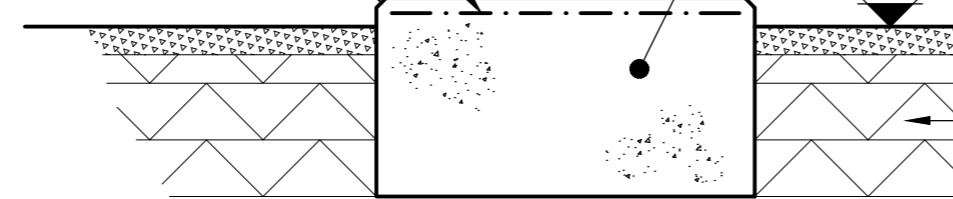
1 LAYER A393 MESH IN TOP  
(MINIMUM COVER 40mm)

25mm CHAMFER TO EXPOSED  
CONCRETE FACES (TYPICAL)

PLINTH TO BE FORMED IN  
RC32/40 GRADE CONCRETE

75mm DEEP SURFACE  
FINISH OF LIMESTONE  
CHIPPINGS (10/20 DOWN)

DTP TYPE 1 BACKFILL WELL  
COMPACTED IN MAX 150mm  
LAYERS



**TYPICAL DETAIL SECTION**

(SCALE 1:20)



FREDERICK ROAD, SALFORD  
M6 6QH  
TEL 0161 6041370

CIVIL DISTRIBUTION SUBSTATION  
PLINTH FOR IST POWER LTD  
50kVA 6.6kV 250V  
SINGLE PHASE AUXILIARY TRANSFORMER

DRAWN	ASR	SCALE	1:20	SITE NAME	-
APPROVED	JAB	DATE	NOV 2022	P.F.R. NO.	-
OLD DWG NO	-	SHEET SIZE	A2	DWG NO	900350-039
				DWG STATUS	APPROVAL
				REV	1